

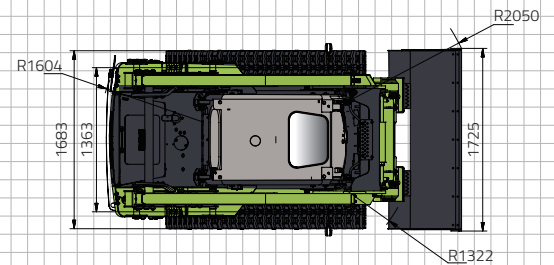
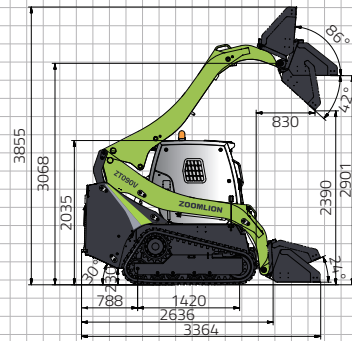
COMPACT TRACK LOADER ZT090V



ZOOMLION

COMPACT TRACK LOADER ZT090V

	Items	ZT090V
Working Performance	Operating Weight	3520 kg
	Rated Load	917 kg
	Tipping Load	2620 kg
	Standard Bucket Capacity	0.44 m ³
	Max. Traveling Speed	16.6 km/h
	Max. Drawbar Pull	33 kN
	Boom Breakout Force	16.5 kN
	Bucket Breakout Force	18.5 kN
Engine	Manufacturer	KUBOTA
	Model	V2403-CR
	Rated Power	47.9 kW / 2700 rpm
	Emission Standard	EU Stage V / Tier 4F
	Displacement	2.434 L
Dimensions	Length	3364 mm
	Length (without bucket)	2636 mm
	Width	1725 mm
	Height	2035 mm
	Departure Angle	30°
	Forward Swing Radius	2050 mm
	Backward Swing Radius	1604mm
	Track Length on the Ground	1420 mm
Operating Range	Max. Operating Altitude	3855 mm
	Dumping Height	2390 mm
	Dumping Reach	830 mm



ZOOMLION

Zoomlion Heavy Industry Science & Technology Co.,Ltd.

Add: No.361, South Yinpen Road, Changsha, Hunan Province, P.R.China 410013

Email: earthmoving@zoomlion.com

Copyright©2024 Zoomlion. All rights reserved. Reproduction and copying of any part of contents is not allowed for any purposes without Zoomlion's approval.

Note: Materials and specifications are subject to change without notice. Featured machines in photos may include additional equipment.

